

Hard-wire AC surge protector M50 Series



M50-120Y



Characteristics

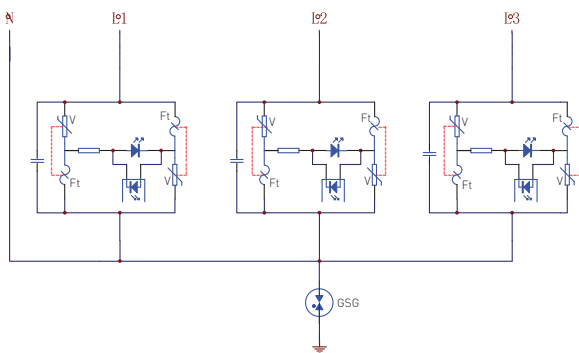
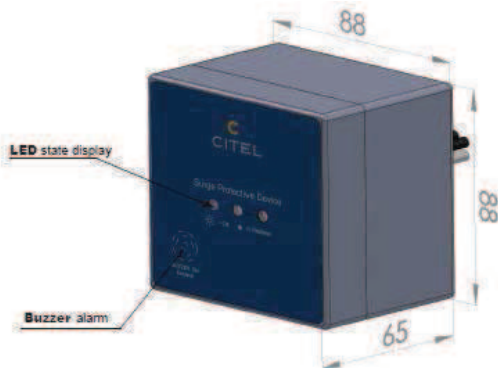
CITEL part number		M50-120
Network voltage		120 Vac
Max. operating voltage	MCOV	150 Vac
TOV withstand	U_T	150 Vac
Operating current leakage current at U_c	I_c	None
Follow current	I_f	None
Nominal discharge current 15 x 8/20 μ s impulse	I_n	20 kA
Max. discharge current max. withstand at 8/20 μ s	I_{max}	50 kA
Voltage protection rating @ 3 kA	VPR	700 Vac
Protection level @ I_n	U_p	1200 Vac
Admissible short-circuit current	I_{sc}	100 kA
Associated disconnectors		
Thermal disconnector		internal
Fuses		40 A
Installation ground fault breaker		Type «S» or delayed
Mechanical characteristics		
Dimensions		see diagram
Connection		wire 15 AWG (1,5 mm ²), 24" leads
Disconnection indicator		LED off and audible alarm
Mounting		Bulkhead (3/4")
Operating temperature		-40/+85 °C
Environmental rating		IP66
Housing material		Stainless Steel
Standard Compliance		
CEI 61643-1	International	Type 2
EN 61643-11	Europe	Type 2
UL 1449 3rd Edition	USA	Type 1 (pending)

Versions:

- 120Y - 3ph+Neutral+G
- 120T - 2ph+Neutral+G
- 120S - 1ph+Neutral+G

Dimensions - Electrical Diagram

(in mm)



V : High energy MOV
Ft : Thermal fuse
GSG : Gas-filled Spark Gap